

Crawler Spider Boom Lift



Mantall[®]
美通重工

REDEFINING THE WORLD'S PERCEPTION OF **MADE IN CHINA.**



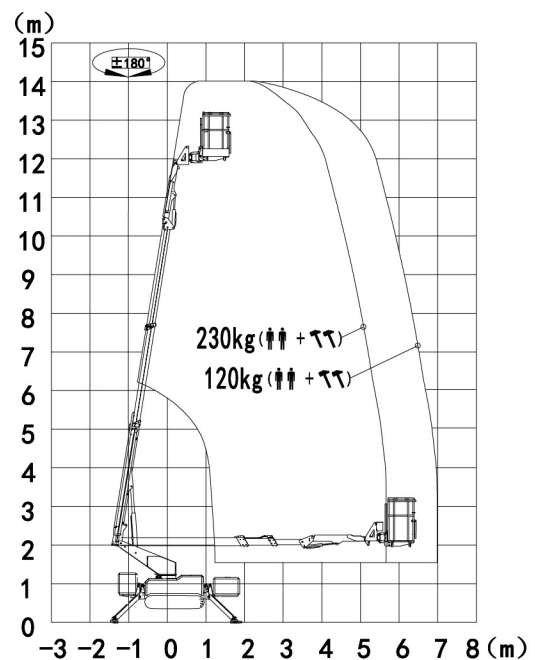
MT140

Telescopic Spider Boom Lift

-  Power Facilities
-  Commercial hubs
-  Transport hubs
-  Landscaping
-  Venues, Schools

Technical Data

Working Height	14m	Engine	7.5kw
Platform Height	12m	Total mass	2100 kg
Outreach	6.1m (230kg),7m (120kg)	Diesel engine	YANMAR
Boom tilting	0 – 80°	Diesel capacity	15L
Jib tilting	+80°/-90°	Reservoir capacity	35L
Basket rotation	+90°/-90°	Electric power	220V Single-Phase Motor
Turret rotation	360°(Discontinuous)		
Max lift capacity	230 kg		
Basket size	1.35x0.73x1.25m		
Gradeability	17° (30%)		
Travel	Crawler travel mode		
Diving speed	0-1.5 km/h		
Op. Temp.	-20°C~40°C		
Wind speed	≤ 12.5m/s		
AC Motor Plug	16A Triangular Plug		
AC Motor	2.2kw		



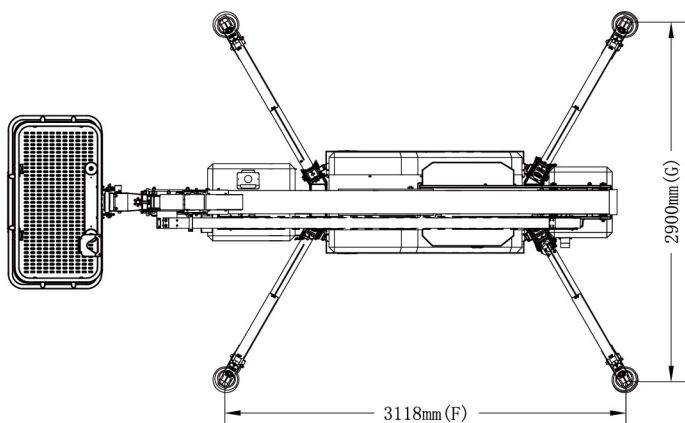
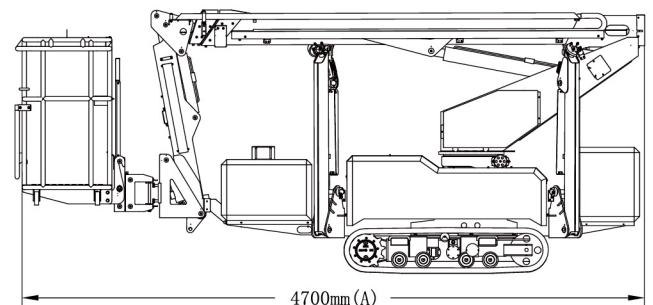
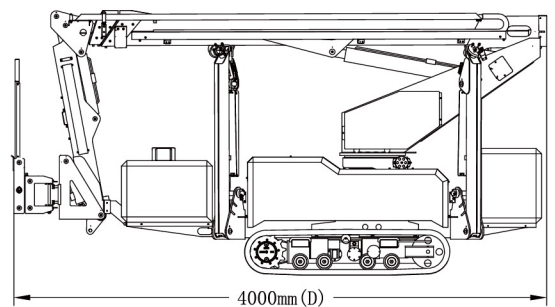
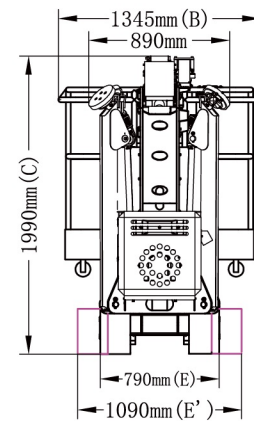
Telescopic Spider Boom Lift

MT140



Specifications

Track length		1.5m
Outrigger working area	Length	3.1m
	Width	2.9m
With platform	Height	1.99m
	Length	4.7m
	Width	1.35m
Without platform	Height	1.99m
	Length	4m
	Width	0.79m
Ground clearance		0.13m



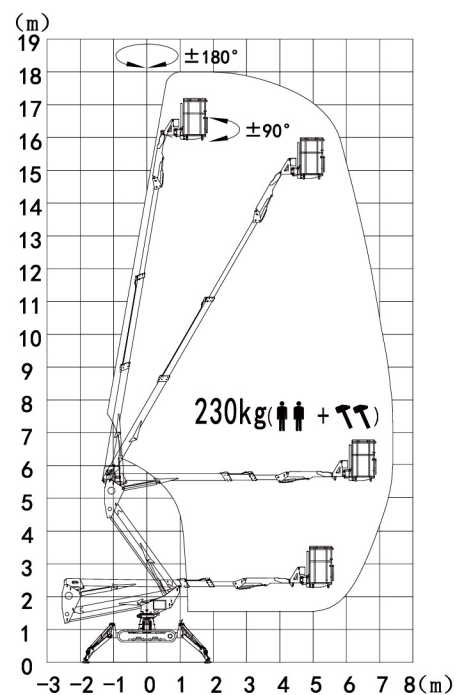
MT180

Articulated Spider Boom Lift

-  Power Facilities
-  Commercial hubs
-  Transport hubs
-  Landscaping
-  Venues, Schools

Technical Data

Working Height	18m	Engine	6.8kw
Platform Height	16m	Total mass	2800 kg
Outreach	6.8m (230kg)	Diesel engine	KUBOTA
Boom tilting	0 – 80°	Diesel capacity	16L
Jib tilting	+80°/-90°	Reservoir capacity	35L
Basket rotation	+90°/-90°	Electric power	220V Single-Phase Motor
Turret rotation	360°(Discontinuous)		
Max lift capacity	230 kg		
Basket size	1.35x0.73x1.25m		
Gradeability	20° (36%)		
Travel	Crawler travel mode		
Diving speed	0-1.5 km/h		
Op. Temp.	-20°C~40°C		
Wind speed	≤ 12.5m/s		
AC Motor Plug	16A Triangular Plug		
AC Motor	2.2kw		



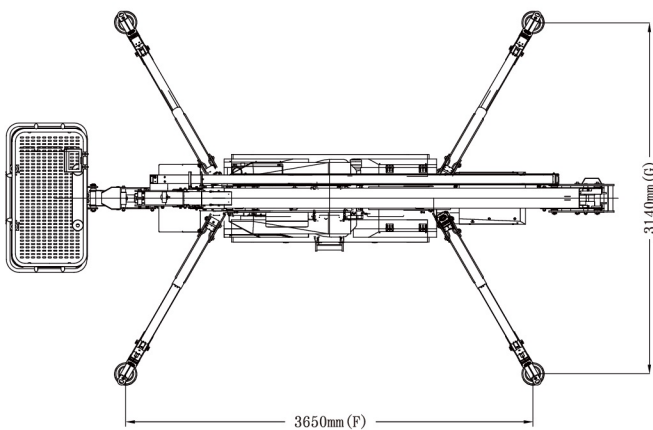
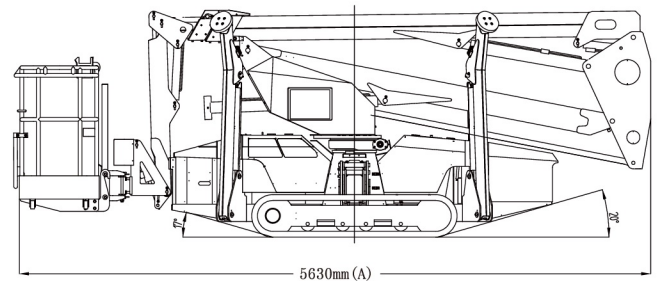
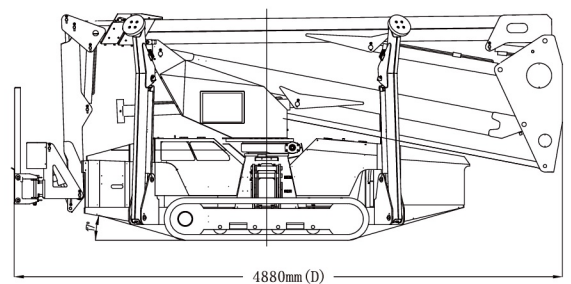
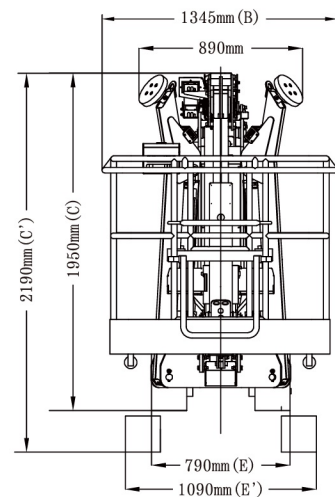
Articulated Spider Boom Lift

MT180



Specifications

Track length		1.75m
Outrigger working area	Length	3.65m
	Width	3.14m
With platform	Height	1.95m/2.19m
	Length	5.63m
	Width	1.35m
Without platform	Height	1.95m/2.19m
	Length	4.88m
	Width	0.79m
Ground clearance		0.13m



MT180A

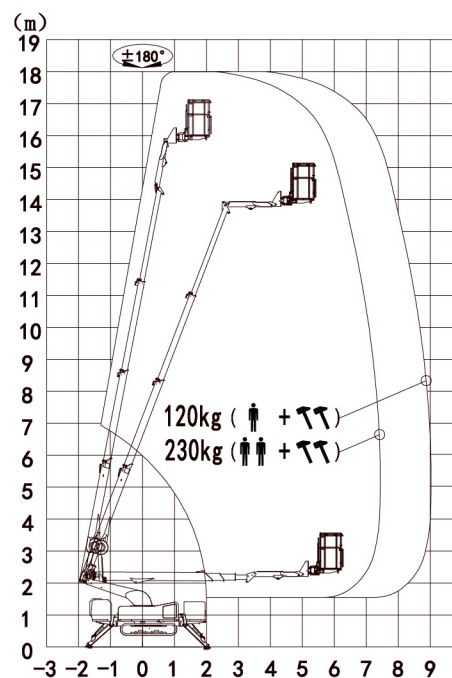
Telescopic Spider Boom Lift

-  Power Facilities
-  Commercial hubs
-  Transport hubs
-  Landscaping
-  Venues, Schools

Technical Data

Working Height	18m
Platform Height	16m
Outreach	6.8m (230kg) 8.4m(120kg)
Boom tilting	0 – 80°
Jib tilting	+80°/-90°
Basket rotation	+90°/-90°
Turret rotation	360°(Discontinuous)
Max lift capacity	230 kg
Basket size	1.35x0.73x1.25m
Gradeability	20° (36%)
Travel	Crawler travel mode
Diving speed	0-1.5 km/h
Op. Temp.	-20°C~40°C
Wind speed	≤ 12.5m/s
AC Motor Plug	16A Triangular Plug
AC Motor	2.2kw

Engine	9.8kw
Total mass	2800 kg
Diesel engine	KUBOTA
Diesel capacity	15L
Reservoir capacity	35L
Electric power	220V Single-Phase Motor

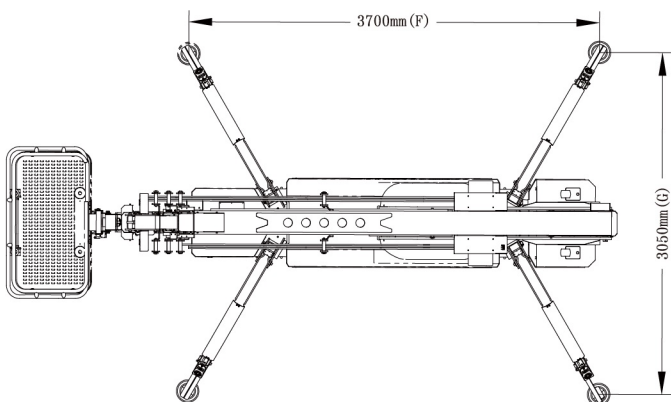
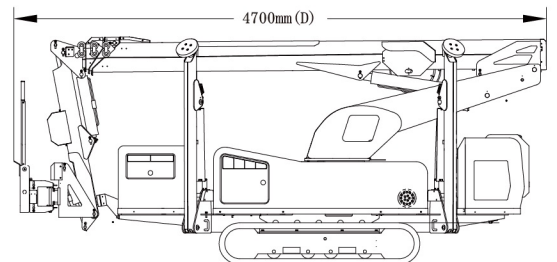
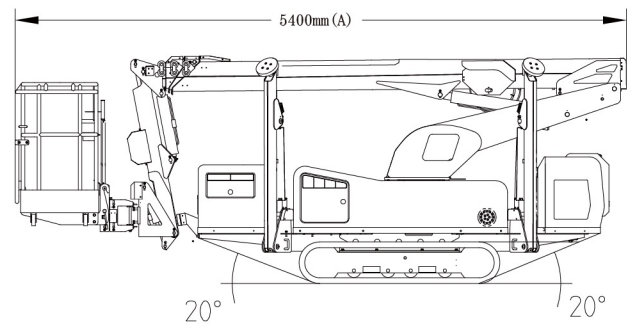
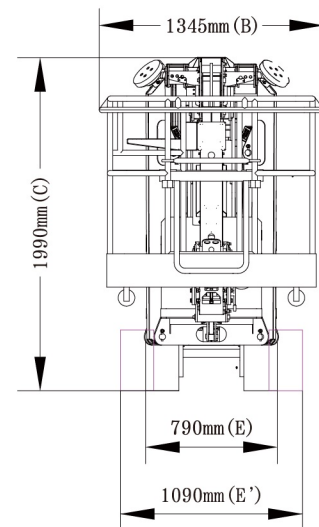


Telescopic Spider Boom Lift
MT180A



Specifications

Track length		1.75m
Outrigger working area	Length	3.70m
	Width	3.05m
With platform	Height	1.99m
	Length	5.40m
	Width	1.35m
Without platform	Height	1.99m
	Length	4.70m
	Width	0.79m
Ground clearance		0.13m



MT300

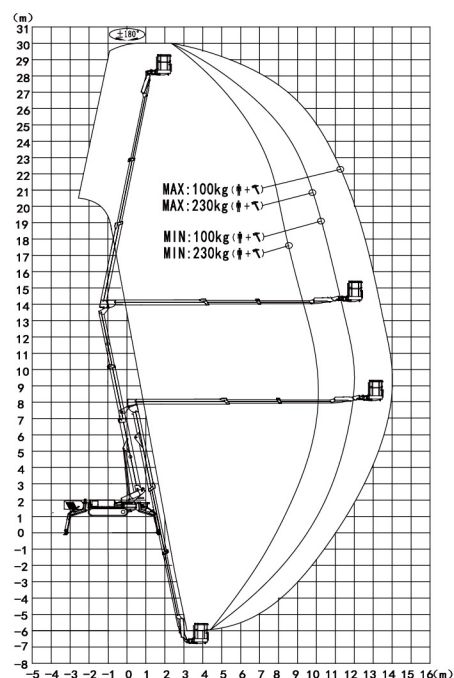
Articulated Spider Boom Lift

- 🏠 Power Facilities
- 🏢 Commercial hubs
- 🚚 Transport hubs
- 🌳 Landscaping
- 🎓 Venues, Schools

Technical Data

Working Height	30m
Platform Height	28m
Outreach	12m (230kg) 14m(120kg)
Boom tilting	0 – 80°
Jib tilting	+80°/-90°
Basket rotation	+90°/-90°
Turret rotation	360° (非连续)
Max lift capacity	230 kg (2 人)
Basket size	1.35x0.73x1.25m
Gradeability	17° (30%)
Travel	履带式
Diving speed	0-1.5 km/h
Op. Temp.	-20°~40° 摄氏度
Wind speed	≤ 12.5m/s
AC Motor Plug	5x4mm ²
AC Motor	7.5kw

Engine	15.9kw
Total mass	5600 kg
Diesel engine	KUBOTA柴油发动机
Diesel capacity	30L
Reservoir capacity	100L
Electric power	380V三相电机



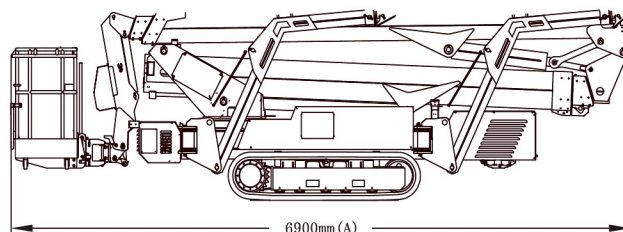
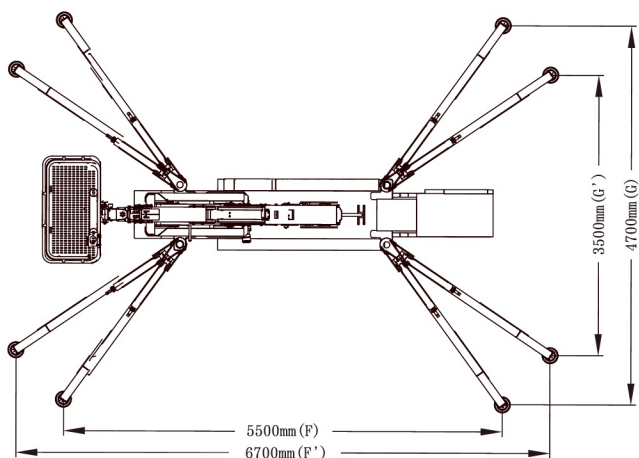
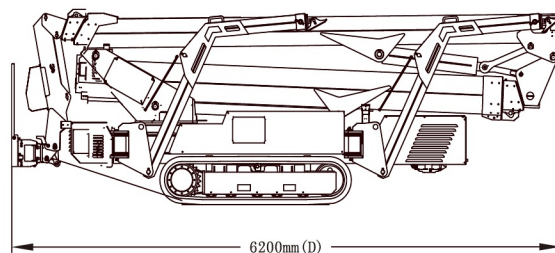
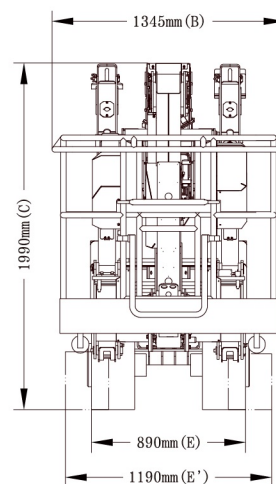
Articulated Spider Boom Lift

MT300



Specifications

Track length		2m
Outrigger working area	Length	5.5m, 6.7m
	Width	4.7m, 3.5m
With platform	Height	1.99m
	Length	6.9m
	Width	1.35m
Without platform	Height	1.99m
	Length	6.2m
	Width	0.89m
Ground clearance		0.2m





Mantall[®]
美通重工

Certified by:

